

"grey" collars for Ø75 and Ø90 semi-rigid tubes

"GREY" COLLARS FOR Ø75 AND Ø90 SEMI-RIGID TUBES



CARATTERISTICHE

Quick collars suitable for the engagement of double-walled corrugated semi-rigid pipes of diam. external Ø75 mm (and diam. inner Ø63 mm) or Ø90 mm (and diam. internal Ø75 mm), used for VMC systems.

The collars are made of hPP (single-polymer polypropylene), easy to install by screwing onto a threaded base* or threaded ferrule or also by gluing.

Each collar has adequate space for housing the sealing ring (gasket), with no. 3 teeth for clamping the semi-rigid tube and with No. 2 slots for interlocking housing of any PP anti-unthreading ring.

At the base, the collars have a closed diaphragm with a series of septa pre-marked in concentric circles so that it can be used as a flow regulator.

The value of the flow rate to be assigned can be calibrated by removing 1, or more, of the 4/5 rings using a simple cutter. Calculation of the number of septa to be removed can be done from the table on the following page by first deriving the "Zeta" coefficient of localized induced pressure drop due to narrowing of the passage in the collar septum and then proceeding by means of an appropriate spreadsheet (not provided).

* All GREY collars installed on FITT AGIX PVC boxes are screwed down and are easily unscrewed, if necessary, using, for example, a simple 3 mm thick bar lever to be inserted within the aforementioned slots. The threaded base of the collars is made with Ø2"1/2 gas-type thread for both Ø75 and Ø90; it is identical for both.

PHOTO OF GREY Ø75 COLLARS



PHOTO OF GREY Ø90 COLLARS

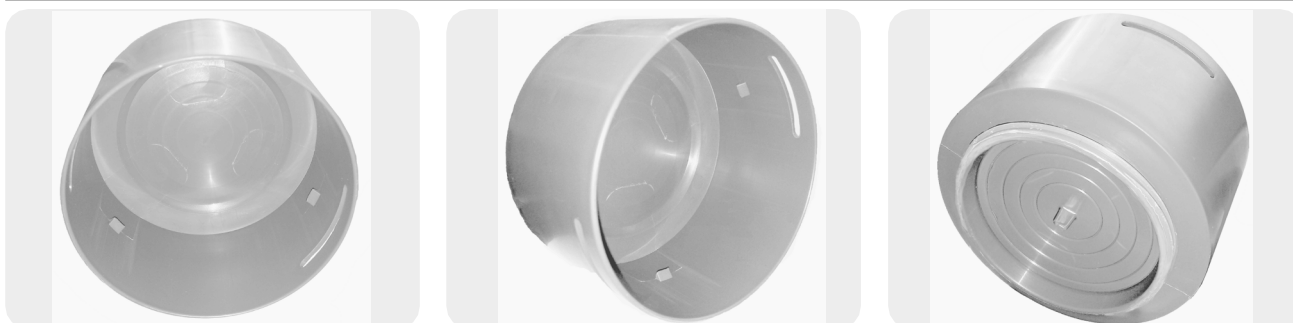


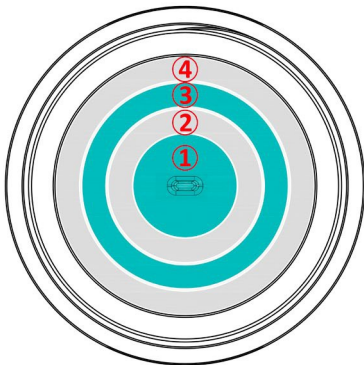
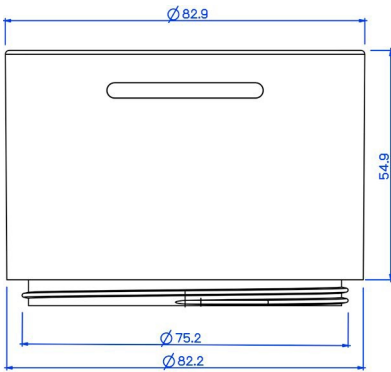
Table for calculating the capacity of the collars by cutting the pre-arranged sectors

		Identification number of the outermost of the removed rings				
		1	2	3	4	-
collar GREY Ø75	Open circle radius resulting (mm)	12,2	18,1	24,2	30 (+0,9)	-
	Free area (mm ²)	470	1055	1850	3000	-
	Percentage Area compared to the collar 16% fully open		35%	62%	100%	-

		Identification number of the outermost of the removed rings				
		1	2	3	4	5
collar GREY Ø90	Open circle radius resulting (mm)	12,2	18,1	24,2	30,3	33,9
	Free area (mm ²)	470	1055	1850	2880	3600
	Percentage Area compared to the collar 14% fully open		30%	53%	81%	100%

DIMENSIONS

COLLAR GREY Ø75



COLLAR GREY Ø90

